



Semitoool STORM II Cassette and Pod Cleaning System

Semitoool STORM II

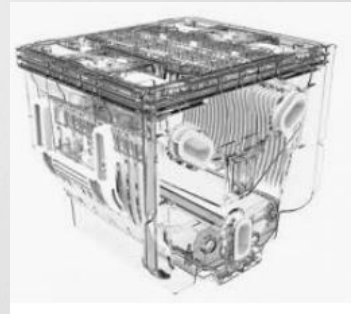
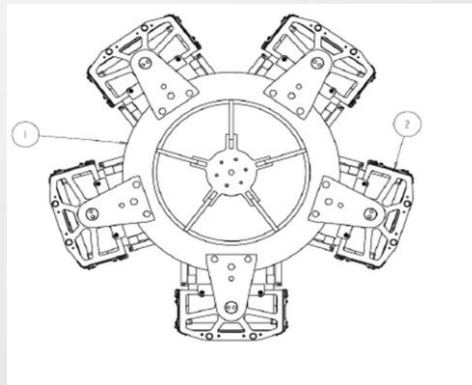
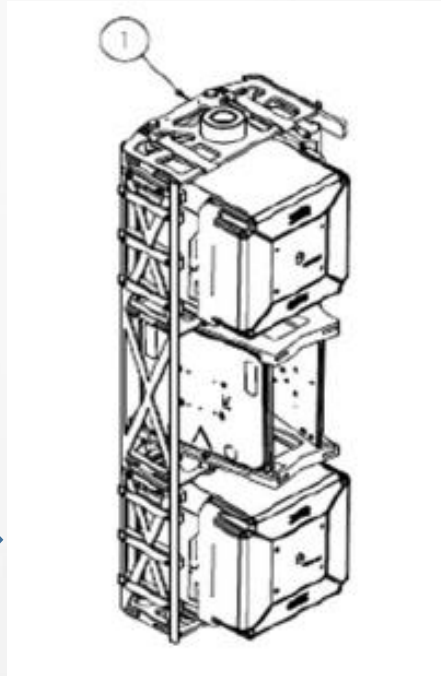
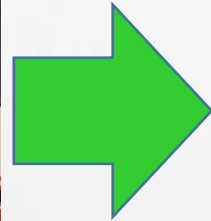


Equipment Details

- SN H91610
- MFG Date: 1996
- CE Marked
- Install Type: Stand-Alone
- Front/Rear Load/Unload
- Process Material PVDF
- DI Water N2 CDA
- Cables present with system
- SECS Interface (DB-25 port)
- Power Requirements: V 380, 40A 125, 3-Phase, 5-Wire, Freq 50/60Hz

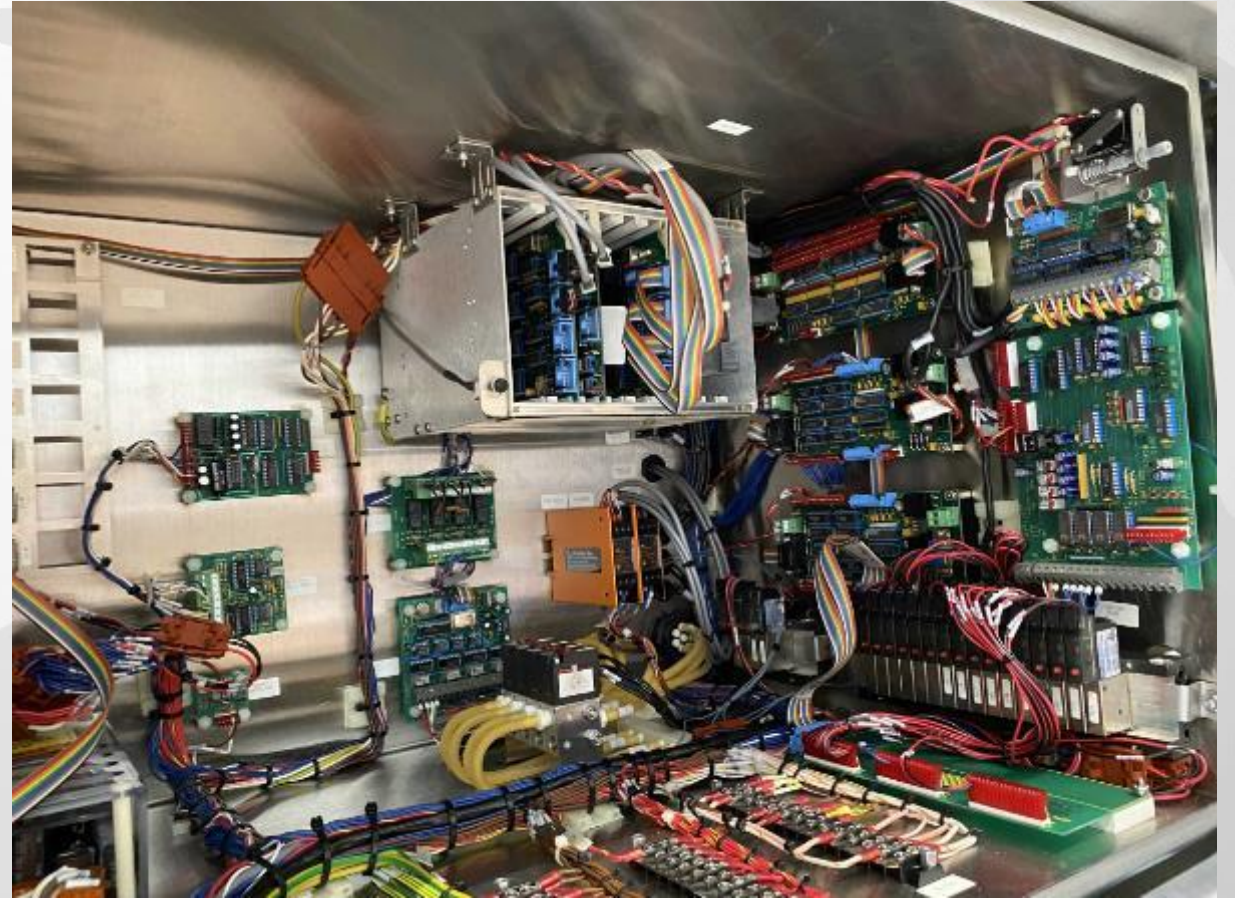


Semitoool STORM – Customized Carousel



PTW can customize ladder design depending on **CUSTOMER NEEDS**

Upper Cabinet



All Electrical components are intact

Lower Cabinet



Booster pump



Carousel Motor

Exhaust, Supply Ports, Regulator and gauges



Misc pictures for reference





THANK YOU!

For Sales Enquiries Please Contact:

Name: Torsten Seifried

Telephone: +65 90261590

Email: torsten@ptwsingapore.com

PTW Asia Pte. Ltd. • 10 Ubi Crescent, #05-22 Ubi Tech Park Singapore 408564

